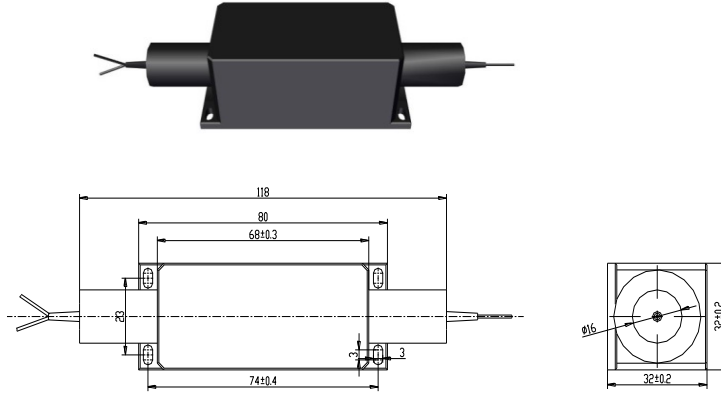


Polarization Maintaining Optical Circulator 1030nm

The 3 port 1030nm polarization maintaining (PM) optical circulator is a fiber optic component built with PM panda fiber. It allows light to be transmitted in only one direction while blocking the opposite transmission, its light path is port 1 to port 2, and port 2 to port 3. The PM fiber circulator is widely used in optical fiber networks and amplifiers where polarization maintaining characteristics are needed. High Power handling is available upon request.



Features

- High Extinction Ratio
- Low IL & High Isolation
- Optical Path Epoxy-free
- High Power available on request

Applications

- EDFA & Raman Amplifier
- Fiber Sensor
- Dispersion Compensation
- Test & Measurement
- WDM Systems

Performance Specification

| Parameter | Value | Unit |
|--------------------------------------|--|------|
| Center Wavelength | 1030 or customized | nm |
| Bandwidth | ±10 | nm |
| Configuration | 1X2, (port 1→2, 2→3) | |
| Typ. Insertion Loss (port 1→2, 2→3) | 1.0 | dB |
| Max. Insertion Loss (port 1→2, 2→3) | 1.5 | dB |
| Typ. Isolation (port 2→1, 3→2) | 28 | dB |
| Min. Isolation (port 2→1, 3→2) | 22 | dB |
| Min. Extinction Ratio | 20 | dB |
| Min. Cross Talk (port 1→3) | 50 | dB |
| Min. Return Loss | 50 | dB |
| Max. Optical Power (Continuous Wave) | 300 (higher is available upon request) | mW |
| Max. Tensile Load | 5 | N |
| Fiber Type | PM 980 Panda Fiber | |
| Operating Temperature | 0 to +60 | °C |
| Storage Temperature | -40 to +85 | °C |
| Package Dimension | | mm |

Note

- * For devices with connectors, IL will be 0.3dB higher, RL will be 5dB lower and ER will be 2dB lower.
- * The PM fiber and the connector key are aligned to the slow axis.
- * For high power applications, please contact us to confirm details.

Ordering Information

PM CIR-AAAA-BB-C-DD-EE-F

| AAAA | BB | C | DD | EE | F |
|---------------|------------|-----------------|--------------|--------------|---------------|
| Wavelength | Port | Fiber Jacket | Fiber Length | Connector | Working Axis |
| 1030 - 1030nm | 12 - 1 X 2 | B - 250um Bare | 05 - 0.5m | NE - None | F - Fast Axis |
| SSS - Specify | | Fiber | 08 - 0.8m | FA - FC/APC | Blocked |
| | | L - 900um Loose | 10 - 1.0m | FP - FC/PC | B - Both Axis |
| | | Tube | 15 - 1.5m | SA - SC/APC | Operating |
| | | | SS - Specify | SP - SC/PC | |
| | | | | LA - LC/APC | |
| | | | | LP - LC/PC | |
| | | | | SS - Specify | |