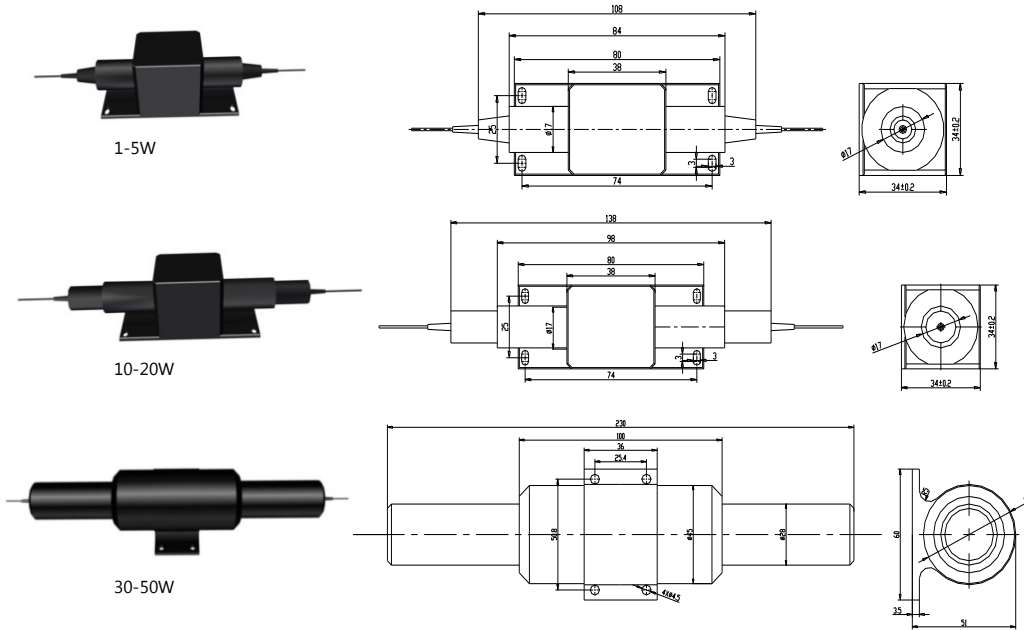


Polarization Independent Optical Isolator 1030nm

The 1030nm High Power Polarization Independent (Polarization Insensitive) Optical Fiber Isolator is an in-line pigtailed micro-optic component allows light to be transmitted only in the forward direction while blocking the backward transmission. It features high isolation, low insertion loss and high power handling. The optical isolators are commonly used to protect lasers or amplifiers against back-reflected light.



Features

- High Isolation
- Low Insertion Loss
- High Power Handling

Applications

- Fiber Amplifier
- Fiber Laser & Sensor
- Lab & Research

Performance Specification

Parameter	Value		Unit
Center Wavelength	1030 or customized		nm
Bandwidth	±10		nm
Max. Optical Power (CW)	1, 3, 5, 10, 20	30, 50	W
Typ. Insertion Loss at 23°C	0.8	1.0	dB
Max. Insertion Loss at 23°C	1.2	1.4	dB
Typ. Peak Isolation	32		dB
Min. Isolation at 23°C	25		dB
Max. PDL at 23°C	0.15	0.2	dB
Min. Return Loss	50		dB
Max. Tensile Load	5		N
Fiber Type	HI 1060 fiber, 20/400 DC Fiber or Customized		
Operating Temperature	-5 to +50		°C
Storage Temperature	-20 to +75		°C
Package Dimension	mm		

Note

* Specifications may change without notice. For pulse applications, pls discuss with OF-LINK.

Ordering Information

HPII-AAAA-BB-C-DD-EE-FF

AAAA	BB	C	DD	EE	FF
Wavelength	Fiber Type	Fiber Jacket	Fiber Length	Connector	Power
1030 - 1030nm	H6 - HI 1060 Fiber	B - 250um Bare	05 - 0.5m	NE - None	01 - 1W
1040 - 1040nm	20 - 20/400um DCF	Fiber	08 - 0.8m		03 - 3W
1050 - 1050nm	SS - Specify	L - 900um Loose	10 - 1.0m		05 - 5W
1053 - 1053nm		Tube	15 - 1.5m		10 - 10W
1064 - 1064nm			SS - Specify		15 - 15W
1080 - 1080nm					20 - 20W
SSSS - Specify					30 - 30W
					50 - 50W
					SS - Specify