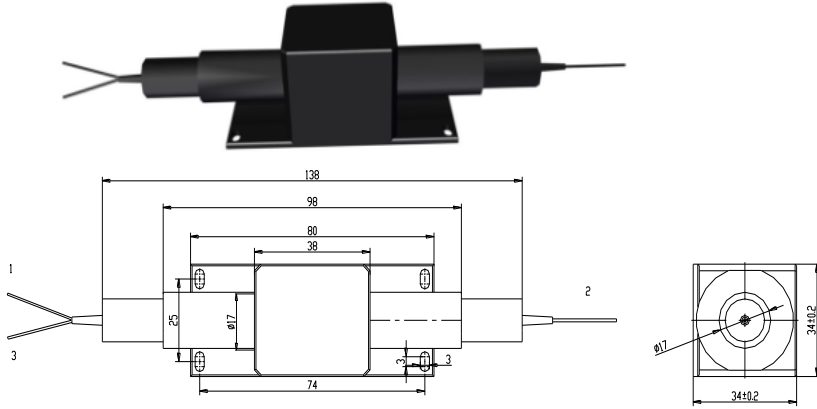


Polarization Maintaining Optical Circulator 1050±50nm

The 3 port 1050 1053nm Broadband Polarization Maintaining (PM) Optical Circulator is a fiber optic component built with PM panda fiber. It allows light to be transmitted in only one direction while blocking the opposite transmission, its light path is port 1 to port 2, and port 2 to port 3. The PM fiber circulator is widely used in optical fiber networks and amplifiers where polarization maintaining characteristics are needed. High Power handling is available upon request.



Features

- High Extinction Ratio
- Low IL & High Isolation
- Optical Path Epoxy-free
- Broadband

Applications

- EDFA & Raman Amplifier
- Fiber Sensor
- Dispersion Compensation
- Test & Measurement
- WDM Systems

Performance Specification

Parameter	Value	Unit
Center Wavelength	1050, 1053 or customized	nm
Bandwidth	±50	nm
Configuration	1X2, (port 1→2, 2→3)	
Typ. Insertion Loss (port 1→2, 2→3)	1.2	dB
Max. Insertion Loss (port 1→2, 2→3)	1.8	dB
Typ. Peak Isolation (port 2→1, 3→2)	28	dB
Min. Isolation (port 2→1, 3→2)	16	dB
Min. Extinction Ratio	20	dB
Min. Cross Talk (port 1→3)	50	dB
Min. Return Loss	50	dB
Max. Optical Power (Continuous Wave)	300 (higher is available upon request)	mW
Max. Tensile Load	5	N
Fiber Type	PM 980 Panda Fiber	
Operating Temperature	-5 to +50	°C
Storage Temperature	-40 to +85	°C
Package Dimension		mm

Note

- * For devices with connectors, IL will be 0.3dB higher, RL will be 5dB lower and ER will be 2dB lower.
- * The PM fiber and the connector key are aligned to the slow axis.
- * For high power applications, please contact us to confirm details.

Ordering Information

BPMCIR-AAAA-BB-C-DD-EE-F

AAAA	BB	C	DD	EE	F
Wavelength	Port	Fiber Jacket	Fiber Length	Connector	Working Axis
1050 - 1050nm	12 - 1 X 2	B - 250um Bare	05 - 0.5m	NE - None	F - Fast Axis
1053 - 1053nm		Fiber	08 - 0.8m	FA - FC/APC	Blocked
SSSS - Specify		L - 900um Loose	10 - 1.0m	FP - FC/PC	
		Tube	15 - 1.5m	SA - SC/APC	
			SS - Specify	SP - SC/PC	
				LA - LC/APC	
				LP - LC/PC	
				SS - Specify	