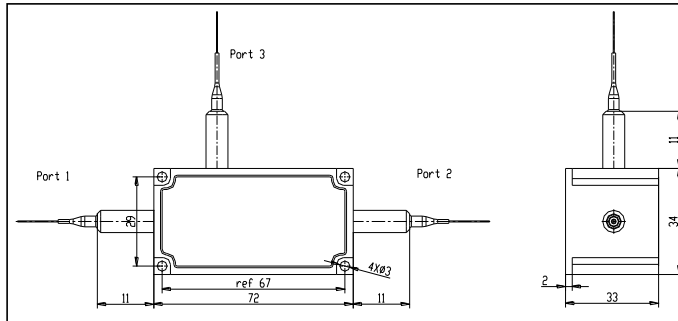


## 3-port Optical Circulator 760 780 785 790 793 nm

The 3-port 760 780 785 790 793 nm Polarization Insensitive Optical Fiber Circulator is a fiber optic component built with single mode fiber. It allows light to be transmitted in only one direction while blocking the opposite transmittion, it's light path is port 1 to port 2, and port 2 to port 3. The fiber circulator is widely used in optical fiber networks and fiber instruments. High Power handling is available upon request.



### Features

- Low IL & High Isolation
- Broadband available on request
- Optical Path Epoxy-free
- High Reliability and Stability

### Applications

- Fiber Laser
- Fiber Amplifier
- Lab & Research

### Performance Specification

Parameter	Value	Unit
Center Wavelength (λc)	760 780 785 790 793 or customized	nm
Bandwidth	±10 (broader available upon request)	nm
Configuration	1X2, (port 1→2, 2→3)	
Typ. Insertion Loss (λc, port 1→2, 2→3)	1.0	dB
Max. Insertion Loss (λc, port 1→2, 2→3)	1.5	dB
Min. Isolation ( port 2→1)	25 (typ. 30)	dB
Min. Isolation (port 3→2)	17 (typ. 22)	dB
Max. PDL	0.25	dB
Min. Return Loss	50	dB
Max. Optical Power (Continuous Wave)	500 (higher is available upon request)	mW
Max. Tensile Load	5	N
Fiber Type	HI 780 Fiber	
Operating Temperature	0 to +70	°C
Storage Temperature	-40 to +85	°C
Package Dimension		mm

### Note

\* Above specifications are for device without connector . For devices with connectors, IL will be 0.3dB higher, and RL will be 5dB lower.  
\* Specs may change without notice.

### Ordering Information

#### PICIR-AAA-BB-C-DD-EE

AAA	BB	C	DD	EE
Wavelength	Fiber Type	Fiber Jacket	Fiber Length	Connector
760 - 760nm	H7 - HI 780 Fiber	B - 250um Bare	05 - 0.5m	NE - None
780 - 780nm	SS - Specify	Tube	08 - 0.8m	FA - FC/APC
785 - 785nm		L - 900um Loose	10 - 1.0m	FP - FC/PC
790 - 790nm		Tube	15 - 1.5m	SA - SC/APC
793 - 793nm			SS - Specify	SP - SC/PC
SSS - Specify				LA- LC/APC
				LP - LC/PC
				SS - Specify