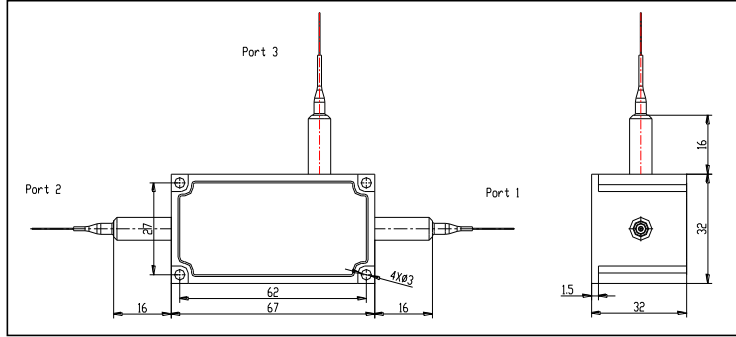


3-port Polarization Insensitive Optical Circulator 915nm

The 3 port 915nm Polarization Insensitive Optical Fiber Circulator is a fiber optic component built with single mode fiber. It allows light to be transmitted in only one direction while blocking the opposite transmission, its light path is port 1 to port 2, and port 2 to port 3. The fiber circulator is widely used in optical fiber networks and fiber instruments. High Power handling is available upon request.



Features

- Low IL & High Isolation
- High Reliability and Stability
- Optical Path Epoxy-free

Applications

- Fiber Laser
- Fiber Amplifier
- Lab & Research

Performance Specification

Parameter	Value	Unit
Center Wavelength (λc)	915 or customized	nm
Bandwidth	±5	nm
Configuration	1X2, (port 1→2, 2→3)	
Typ. Insertion Loss (λc, port 1→2, 2→3)	1.2	dB
Max. Insertion Loss (λc, port 1→2, 2→3)	1.6	dB
Isolation (λc, port 2→1)	20 (Min.), 25 (Typ.)	dB
Isolation (λc, port 3→2)	13 (Min.), 15 (Typ.)	dB
Max. PDL	0.2	dB
Min. Cross Talk (port 1→3)	45	dB
Min. Directivity	50	dB
Min. Return Loss	50	dB
Max. Optical Power (Continuous Wave)	500 (higher is available upon request)	mW
Max. Tensile Load	5	N
Fiber Type	HI 780	
Operating Temperature	0 to +70	°C
Storage Temperature	-40 to +85	°C
Package Dimension		

Note

* Above specifications are for device without connector. For devices with connectors, IL will be 0.3dB higher, and RL will be 5dB lower.

Ordering Information

PICIR-AAA-BB-C-DD-EE

AAA	BB	C	DD	EE
Wavelength	Fiber Type	Fiber Jacket	Fiber Length	Connector
915 - 915nm	H7 - HI 780 Fiber	B - 250um Bare	05 - 0.5m	NE - None
SSS - Specify	SS - Specify	Fiber	08 - 0.8m	FA - FC/APC
		L - 900um Loose	10 - 1.0m	FP - FC/PC
		Tube	15 - 1.5m	SA - SC/APC
			SS - Specify	SP - SC/PC
				LA - LC/APC
				LP - LC/PC
				SS - Specify