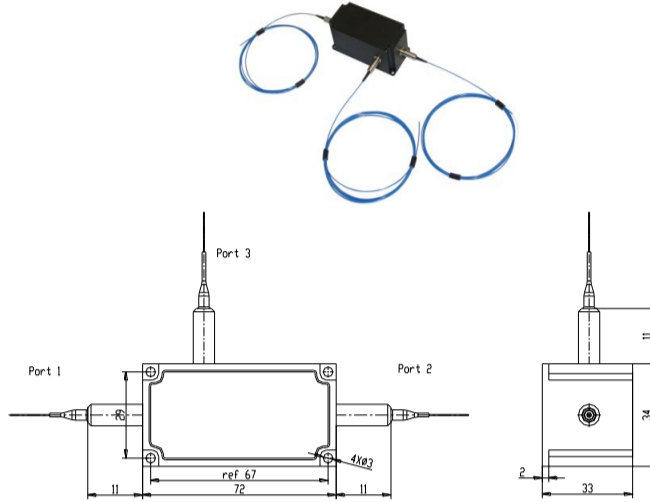


Polarization Maintaining Optical Circulator 830 835 850 860 nm

The 3 port 830 835 850 860 nm polarization maintaining (PM) optical circulator is a fiber optic component built with PM panda fiber. It allows light to be transmitted in only one direction while blocking the opposite transmission, its light path is port 1 to port 2, and port 2 to port 3. The PM fiber circulator is widely used in optical fiber networks and amplifiers where polarization maintaining characteristics are needed.



Features

- High Extinction Ratio
- Low IL & High Isolation
- Optical Path Epoxy-free
- High Power available on request

Applications

- EDFA & Raman Amplifier
- Fiber Sensor
- Dispersion Compensation
- Test & Measurement
- WDM Systems

Performance Specification

Parameter	Value	Unit
Center Wavelength	830 835 850 860 or customized	nm
Bandwidth	±10 (broadband available)	nm
Configuration	1X2, (port 1→2, 2→3)	
Typ. Insertion Loss (port 1→2, 2→3)	1.0	dB
Max. Insertion Loss (port 1→2, 2→3)	1.5	dB
Min. Isolation (port 2→1)	25 (typ. 30)	dB
Min. Isolation (port 3→2)	17 (typ. 22)	dB
Min. Extinction Ratio	18	dB
Min. Cross Talk (port 1→3)	45	dB
Min. Return Loss	50	dB
Max. Optical Power (Continuous Wave)	500 (higher is available upon request)	mW
Max. Tensile Load	5	N
Fiber Type	PM 850 Panda Fiber (or customized)	
Operating Temperature	10 to +50	°C
Storage Temperature	-10 to +60	°C
Package Dimension		mm

Note

- * For devices with connectors, IL will be 0.5dB higher, RL will be 5dB lower and ER will be 2dB lower.
- * The PM fiber and the connector key are aligned to the slow axis.
- * Package dimension subject to change without notice.

Ordering Information

PM CIR-AAA-BB-CC-D-EE-FF-G

AAA	BB	CC	D	EE	FF	G
Wavelength	Port	Fiber Type	Fiber Jacket	Fiber Length	Connector	Working Axis
830 - 830nm	12 - 1 X 2	P8 - PM850	B - 250um Bare	05 - 0.5m	NE - None	F - Fast Axis
835 - 835nm		SS - Specify	Fiber	08 - 0.8m	FA - FC/APC	Blocked
850 - 850nm			L - 900um Loose	10 - 1.0m	FP - FC/PC	B - Both Axis
860 - 860nm			Tube	15 - 1.5m	SA - SC/APC	Operating
SSS - Specify				SS - Specify	SP - SC/PC	
					LA - LC/APC	
					LP - LC/PC	
					SS - Specify	