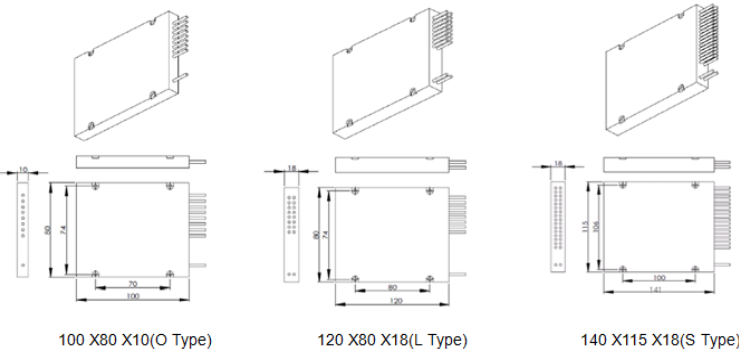


PLC Splitter Module

OF-LINK offers a variety of cassette or box type splitter products that are connectorized and/or pluggable. PLC Splitter Modules are available in the form of either plastic module cassette, or LGX metal box with fiber diameters up to 3 mm. We also provide customized design for customer specific applications.

Package Dimensions



Features

- Low Insertion Loss And Low PDL
- Uniform Power Splitting
- High Reliability And Stability
- Excellent Environmental Stability
- Compact Size And Various Package
- Wide Operating Wavelength: From 1260nm To 1650nm

Applications

- FTTX Systems
- PON, CATV
- LAN, WAN and Metro Networks
- Other Fiber Optic Systems

Table1 – 1×N PLC Splitter

Parameters	1×2	1×4	1×8	1×16	1×32	1×64	Unit
Operating Wavelength	1620~1250						nm
Fiber Type	G657A or customer specified						—
Insertion Loss	3.8	7	10.2	13.5	16.5	20.5	dB
Loss Uniformity	0.4	0.6	0.8	1.2	1.5	2.5	dB
Return Loss	55	55	55	55	55	55	dB
PDL	0.2	0.2	0.3	0.3	0.3	0.4	dB
Directivity	55	55	55	55	55	55	dB
WDL	0.3	0.3	0.3	0.5	0.5	0.5	dB
Temperature Stability	0.5	0.5	0.5	0.5	0.5	0.5	dB
Operating Temperature	-20~75						℃
Storage Temperature	-40~85						℃
Bare PLC Dimension (L×W×H)	40×4×4	40×4×4	40×4×4	50×4×4	50×7×4	60×12×4	mm
Module Dimension (L×W×H)	100×80×10	100×80×10	100×80×10	120×80×18	140×115×18	140×115×18	mm
Mini-Module Dimension (L×W×H)	60×7×4	60×7×4	60×7×4	60×12×4	80×20×6	NA	mm

Table 2 – 2×N PLC Splitter

Parameters	2×2	2×4	2×8	2×16	2×32	Unit
Operating Wavelength	1620~1250					nm
Fiber Type	G657A or customer specified					—
Insertion Loss	4	7.6	11	14.5	17.5	dB
Loss Uniformity	0.8	1.5	1.5	2	2.5	dB
Return Loss	55	55	55	55	55	dB
PDL	0.2	0.2	0.3	0.4	0.4	dB
Directivity	55	55	55	55	55	dB
WDL	0.3	0.5	0.5	0.5	0.5	dB
Temperature Stability	0.5	0.5	0.5	0.5	0.5	dB
Operating Temperature	-20~75					℃
Storage Temperature	-40~85					℃
Bare PLC Dimension (L×W×H)	40×4×4	40×4×4	50×4×4	50×7×4	60×7×4	mm
Module Dimension (L×W×H)	100×80×10	100×80×10	100×80×10	120×80×18	140×115×18	mm
Mini-Module Dimension (L×W×H)	60×7×4	60×7×4	60×7×4	60×12×4	80×20×6	mm

Note

*Packaging sized could be customer specified.

*Above specifications are for device without connector.

*For devices with connectors, IL will be 0.3dB higher and RL will be 5dB lower.

Ordering Information

